

|           |  |
|-----------|--|
| PROJECT   |  |
| TYPE      |  |
| SPECIFIER |  |
| QUANTITY  |  |
| DATE      |  |

## OIKO PRO IN TRACK

### A3T203-

|             |             |                   |                    |                     |                |
|-------------|-------------|-------------------|--------------------|---------------------|----------------|
| base number | LED Dimming | Color Temperature | Finishes (Diamond) | Finishes (Triangle) | Finish Options |
|-------------|-------------|-------------------|--------------------|---------------------|----------------|

- To build a product code in our configurator select the specify button on the base model # product page
- To build a manual product code on this datasheet choose from the options listed below in blue font and add the suffix to the base model #

#### GENERAL

|                            |
|----------------------------|
| Series: Oiko Pro In        |
| Brand: Prolicht            |
| Division: Architectural    |
| Mounting Type: Track       |
| Mounting Location: Ceiling |
| Subcategory: Spots         |

#### PHYSICAL

|   |
|---|
| Shape: Cylinder   |
| Diameter (mm): 65   |
| Diameter (in): 2 <sup>9</sup> / <sub>16</sub>   |
| Length (mm): 250  |
| Length (in): 9 <sup>13</sup> / <sub>16</sub>  |
| Height (mm): 92   |
| Height (in): 3 <sup>5</sup> / <sub>8</sub>  |
| Max. Overall Height (mm): 144   |
| Max. Overall Height (in): 5 <sup>11</sup> / <sub>16</sub>   |
| Light Distribution: Adjustable / Direct   |
| Fixture Finish: SSR / BKV / CWI / CRY / HAB / UFT / ITA / RUA / FTG / MYG / LOD / PUS / FRO / FUP / KIA / POP / BLS / SPG / MEY / GOH / GUM / CHC / COM / ABZ / JAG / OBR / MOS / ROR |
| Holder Finish: WHI / BLK  |
| Fixture Material: Aluminum  |

#### ELECTRICAL

|  |
|--|
| Lamp Type: LED                         |
| Input Wattage (W): 19                  |
| Total Output Wattage (W): 17.3         |
| Dimming: Non-Dimmable / 0-10V Dimming  |
| Driver Included: Yes                   |
| Driver Location: Integrated            |
| Driver Type: Constant Current - 120Vac |
| Input Voltage (V): 120                 |

#### LED

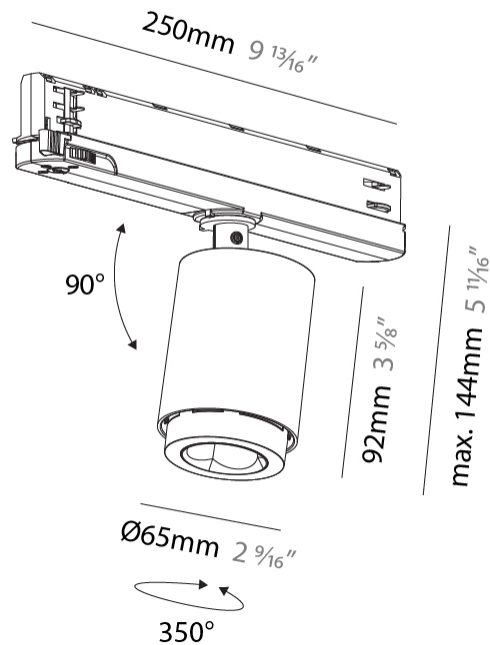
|  |
|--|
| Number of LEDs: 1                                    |
| Color Temperature (°K): 2700 / 3000 / 3500 / 4000    |
| Max. Delivered Lumen (lm): 1410 / 1517 / 1571 / 1603 |
| Nominal Lumen (lm): 1905 / 2050 / 2123 / 2166        |
| CRI: >90 CRI   |
| Lamp Life (hrs): 50000                               |

#### OPTICAL

|                |
|----------------|
| Reflector°: 34 |
|----------------|

#### RATINGS AND CERTIFICATIONS

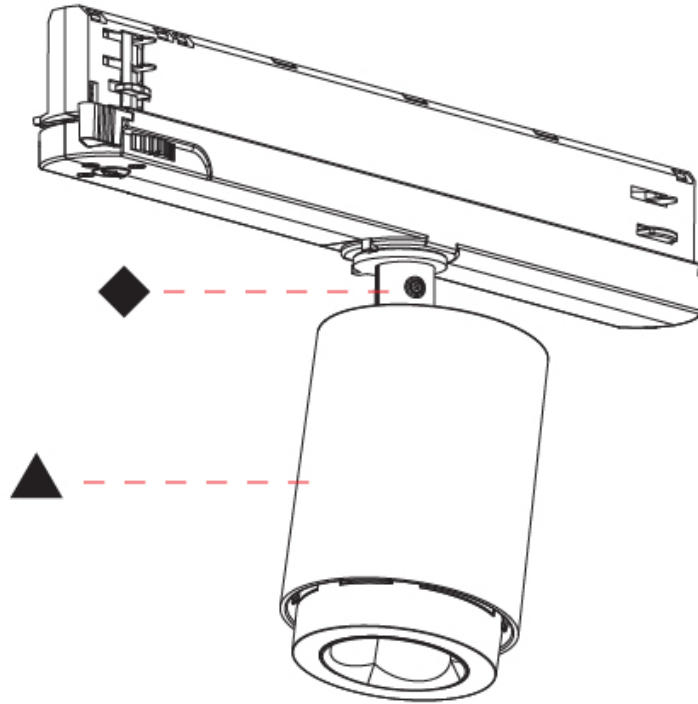
|   |
|---|
| Certified By: CSA Certified to UL and CSA Standards |
| IP rating: IP20                                     |



## OIKO PRO IN TRACK

A3T203-

|           |       |
|-----------|-------|
| PROJECT   | _____ |
| TYPE      | _____ |
| SPECIFIER | _____ |
| QUANTITY  | _____ |
| DATE      | _____ |



A

|           |
|-----------|
| PROJECT   |
| TYPE      |
| SPECIFIER |
| QUANTITY  |
| DATE      |

## OIKO PRO IN TRACK

### A3T204-

|             |             |                   |                    |                     |                |
|-------------|-------------|-------------------|--------------------|---------------------|----------------|
| base number | LED Dimming | Color Temperature | Finishes (Diamond) | Finishes (Triangle) | Finish Options |
|-------------|-------------|-------------------|--------------------|---------------------|----------------|

- To build a product code in our configurator select the specify button on the base model # product page
- To build a manual product code on this datasheet choose from the options listed below in blue font and add the suffix to the base model #

#### GENERAL

|                            |
|----------------------------|
| Series: Oiko Pro In        |
| Brand: Prolicht            |
| Division: Architectural    |
| Mounting Type: Track       |
| Mounting Location: Ceiling |
| Subcategory: Spots         |

#### PHYSICAL

|   |
|---|
| Shape: Cylinder   |
| Diameter (mm): 65   |
| Diameter (in): 2 9/16   |
| Length (mm): 250  |
| Length (in): 9 13/16  |
| Height (mm): 80   |
| Height (in): 3 1/8  |
| Max. Overall Height (mm): 135   |
| Max. Overall Height (in): 5 5/16  |
| Light Distribution: Adjustable / Direct   |
| Fixture Finish: SSR / BKV / CWI / CRY / HAB / UFT / ITA / RUA / FTG / MYG / LOD / PUS / FRO / FUP / KIA / POP / BLS / SPG / MEY / GOH / GUM / CHC / COM / ABZ / JAG / OBR / MOS / ROR |
| Holder Finish: WHI / BLK  |
| Fixture Material: Aluminum  |

#### ELECTRICAL

|  |
|--|
| Lamp Type: LED                         |
| Input Wattage (W): 19                  |
| Total Output Wattage (W): 17.3         |
| Dimming: Non-Dimmable / 0-10V Dimming  |
| Driver Included: Yes                   |
| Driver Location: Integrated            |
| Driver Type: Constant Current - 120Vac |
| Driver Class: Class 2                  |
| Input Voltage (V): 120                 |

#### LED

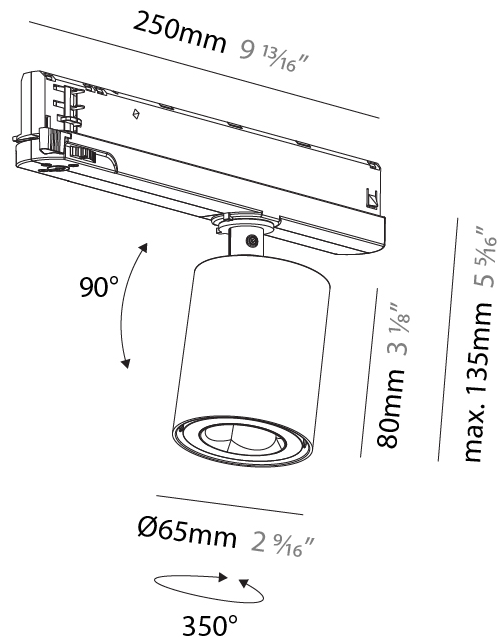
|  |
|--|
| Number of LEDs: 1                                    |
| Color Temperature (°K): 2700 / 3000 / 3500 / 4000    |
| Max. Delivered Lumen (lm): 1547 / 1665 / 1724 / 1759 |
| Nominal Lumen (lm): 1905 / 2050 / 2123 / 2166        |
| CRI: >90 CRI   |
| Lamp Life (hrs): 50000                               |

#### OPTICAL

|               |
|---------------|
| Reflector: 50 |
|---------------|

#### RATINGS AND CERTIFICATIONS

|   |
|---|
| Certified By: CSA Certified to UL and CSA Standards |
| IP rating: IP20                                     |



## OIKO PRO IN TRACK

A3T204-

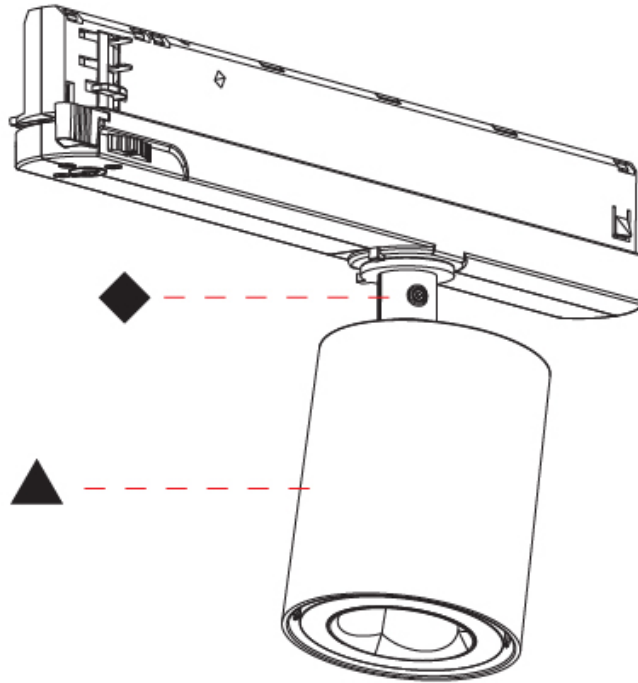
PROJECT \_\_\_\_\_

TYPE \_\_\_\_\_

SPECIFIER \_\_\_\_\_

QUANTITY \_\_\_\_\_

DATE \_\_\_\_\_



A

|           |
|-----------|
| PROJECT   |
| TYPE      |
| SPECIFIER |
| QUANTITY  |
| DATE      |

## OIKO PRO IN TRACK

### A3T205-

|             |             |                   |                    |                     |                |
|-------------|-------------|-------------------|--------------------|---------------------|----------------|
| base number | LED Dimming | Color Temperature | Finishes (Diamond) | Finishes (Triangle) | Finish Options |
|-------------|-------------|-------------------|--------------------|---------------------|----------------|

- To build a product code in our configurator select the specify button on the base model # product page
- To build a manual product code on this datasheet choose from the options listed below in blue font and add the suffix to the base model #

#### GENERAL

|                            |
|----------------------------|
| Series: Oiko Pro In        |
| Brand: Prolicht            |
| Division: Architectural    |
| Mounting Type: Track       |
| Mounting Location: Ceiling |
| Subcategory: Spots         |

#### PHYSICAL

|   |
|---|
| Shape: Cylinder   |
| Diameter (mm): 65   |
| Diameter (in): 2 9/16   |
| Length (mm): 250  |
| Length (in): 9 13/16  |
| Height (mm): 80   |
| Height (in): 3 1/8  |
| Max. Overall Height (mm): 135   |
| Max. Overall Height (in): 5 5/16  |
| Light Distribution: Adjustable / Direct   |
| Fixture Finish: SSR / BKV / CWI / CRY / HAB / UFT / ITA / RUA / FTG / MYG / LOD / PUS / FRO / FUP / KIA / POP / BLS / SPG / MEY / GOH / GUM / CHC / COM / ABZ / JAG / OBR / MOS / ROR |
| Holder Finish: WHI / BLK  |
| Fixture Material: Aluminum  |

#### ELECTRICAL

|  |
|--|
| Lamp Type: LED                         |
| Input Wattage (W): 19                  |
| Total Output Wattage (W): 17.3         |
| Dimming: Non-Dimmable / 0-10V Dimming  |
| Driver Included: Yes                   |
| Driver Location: Integrated            |
| Driver Type: Constant Current - 120Vac |
| Driver Class: Class 2                  |
| Input Voltage (V): 120                 |

#### LED

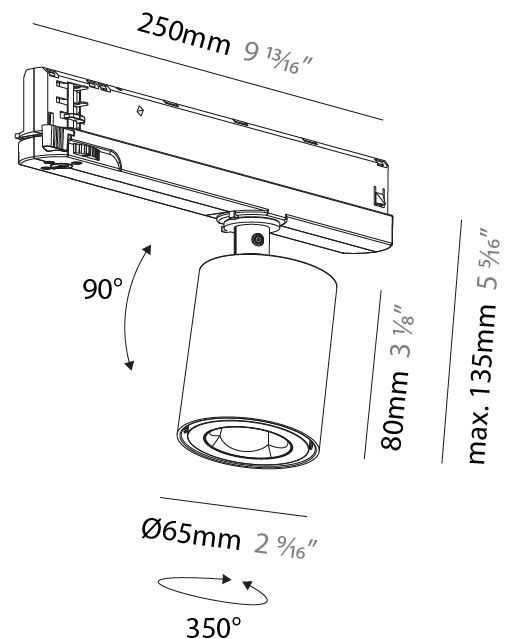
|  |
|--|
| Number of LEDs: 1                                    |
| Color Temperature (°K): 2700 / 3000 / 3500 / 4000    |
| Max. Delivered Lumen (lm): 1699 / 1829 / 1893 / 1932 |
| Nominal Lumen (lm): 1905 / 2050 / 2123 / 2166        |
| CRI: >90 CRI   |
| Lamp Life (hrs): 50000                               |

#### OPTICAL

|               |
|---------------|
| Reflector: 60 |
|---------------|

#### RATINGS AND CERTIFICATIONS

|   |
|---|
| Certified By: CSA Certified to UL and CSA Standards |
| IP rating: IP20                                     |



## OIKO PRO IN TRACK

A3T205-

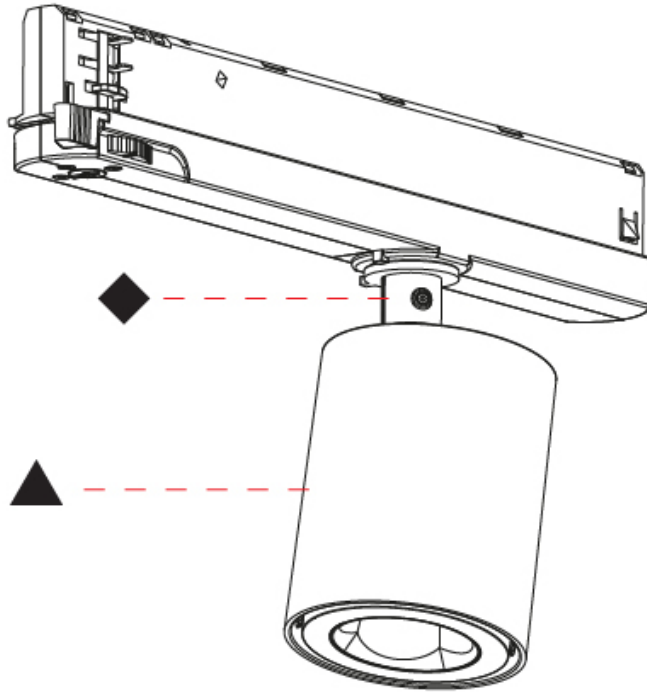
PROJECT

TYPE

SPECIFIER

QUANTITY

DATE



A

|           |
|-----------|
| PROJECT   |
| TYPE      |
| SPECIFIER |
| QUANTITY  |
| DATE      |

## OIKO PRO IN TRACK

### A3T206-

|             |             |                   |                    |                     |                |
|-------------|-------------|-------------------|--------------------|---------------------|----------------|
| base number | LED Dimming | Color Temperature | Finishes (Diamond) | Finishes (Triangle) | Finish Options |
|-------------|-------------|-------------------|--------------------|---------------------|----------------|

- To build a product code in our configurator select the specify button on the base model # product page
- To build a manual product code on this datasheet choose from the options listed below in blue font and add the suffix to the base model #

#### GENERAL

|                            |
|----------------------------|
| Series: Oiko Pro In        |
| Brand: Prolicht            |
| Division: Architectural    |
| Mounting Type: Track       |
| Mounting Location: Ceiling |
| Subcategory: Wallwash      |

#### PHYSICAL

|   |
|---|
| Shape: Cylinder   |
| Diameter (mm): 65   |
| Diameter (in): 2 9/16   |
| Length (mm): 250  |
| Length (in): 9 13/16  |
| Height (mm): 80   |
| Height (in): 3 1/8  |
| Light Distribution: Adjustable / Direct   |
| Fixture Finish: SSR / BKV / CWI / CRY / HAB / UFT / ITA / RUA / FTG / MYG / LOD / PUS / FRO / FUP / KIA / POP / BLS / SPG / MEY / GOH / GUM / CHC / COM / ABZ / JAG / OBR / MOS / ROR |
| Holder Finish: WHI / BLK  |
| Fixture Material: Aluminum  |

#### ELECTRICAL

|  |
|--|
| Lamp Type: LED                         |
| Input Wattage (W): 19                  |
| Total Output Wattage (W): 17.3         |
| Dimming: Non-Dimmable / 0-10V Dimming  |
| Driver Included: Yes                   |
| Driver Location: Integrated            |
| Driver Type: Constant Current - 120Vac |
| Driver Class: Class 2                  |
| Input Voltage (V): 120                 |

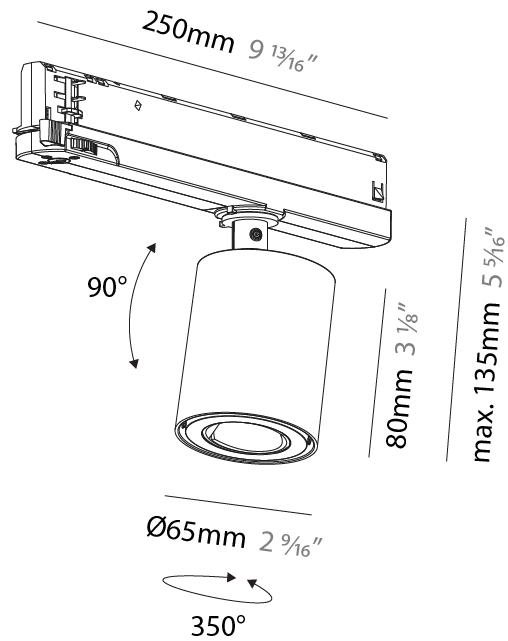
#### LED

|  |
|--|
| Number of LEDs: 1                                    |
| Color Temperature (°K): 2700 / 3000 / 3500 / 4000    |
| Max. Delivered Lumen (lm): 1516 / 1632 / 1690 / 1724 |
| Nominal Lumen (lm): 1905 / 2050 / 2123 / 2166        |
| CRI: >90 CRI   |
| Lamp Life (hrs): 50000                               |

#### OPTICAL

#### RATINGS AND CERTIFICATIONS

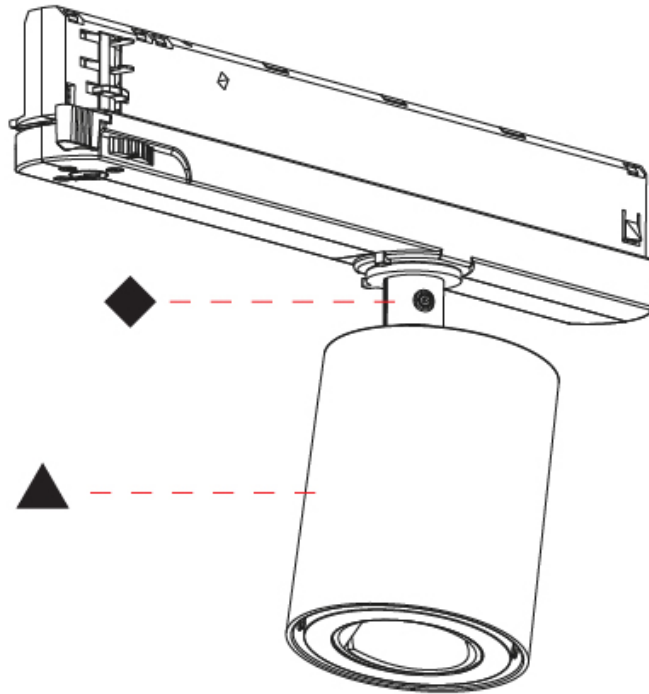
|   |
|---|
| Certified By: CSA Certified to UL and CSA Standards |
| IP rating: IP20                                     |



## OIKO PRO IN TRACK

A3T206-

|           |       |
|-----------|-------|
| PROJECT   | _____ |
| TYPE      | _____ |
| SPECIFIER | _____ |
| QUANTITY  | _____ |
| DATE      | _____ |



A



|           |
|-----------|
| PROJECT   |
| TYPE      |
| SPECIFIER |
| QUANTITY  |
| DATE      |

## OIKO PRO IN TRACK

### A3T226-

|             |             |                   |                    |                     |                |
|-------------|-------------|-------------------|--------------------|---------------------|----------------|
| base number | LED Dimming | Color Temperature | Finishes (Diamond) | Finishes (Triangle) | Finish Options |
|-------------|-------------|-------------------|--------------------|---------------------|----------------|

- To build a product code in our configurator select the specify button on the base model # product page
- To build a manual product code on this datasheet choose from the options listed below in blue font and add the suffix to the base model #

#### GENERAL

|                            |
|----------------------------|
| Series: Oiko Pro In        |
| Brand: Prolicht            |
| Division: Architectural    |
| Mounting Type: Track       |
| Mounting Location: Ceiling |
| Subcategory: Spots         |

#### PHYSICAL

|   |
|---|
| Shape: Cylinder   |
| Diameter (mm): 65   |
| Diameter (in): 2 9/16   |
| Length (mm): 250  |
| Length (in): 9 13/16  |
| Height (mm): 80   |
| Height (in): 3 1/8  |
| Max. Overall Height (mm): 135   |
| Max. Overall Height (in): 5 5/16  |
| Light Distribution: Adjustable / Direct   |
| Fixture Finish: SSR / BKV / CWI / CRY / HAB / UFT / ITA / RUA / FTG / MYG / LOD / PUS / FRO / FUP / KIA / POP / BLS / SPG / MEY / GOH / GUM / CHC / COM / ABZ / JAG / OBR / MOS / ROR |
| Holder Finish: WHI / BLK  |
| Fixture Material: Aluminum  |

#### ELECTRICAL

|  |
|--|
| Lamp Type: LED                         |
| Input Wattage (W): 19                  |
| Total Output Wattage (W): 17.3         |
| Dimming: Non-Dimmable / 0-10V Dimming  |
| Driver Included: Yes                   |
| Driver Location: Integrated            |
| Driver Type: Constant Current - 120Vac |
| Driver Class: Class 2                  |
| Input Voltage (V): 120                 |

#### LED

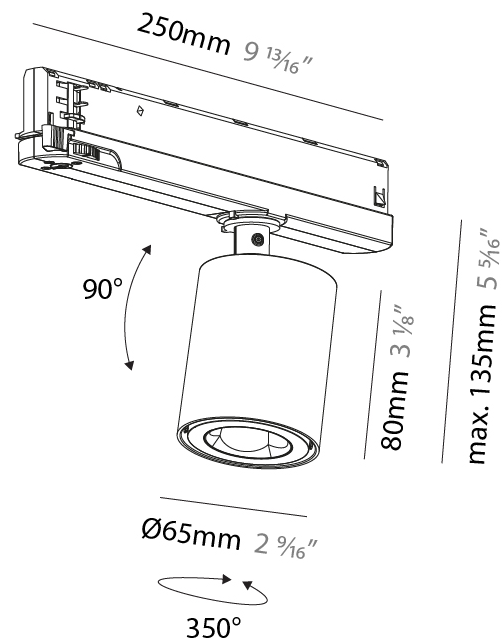
|  |
|--|
| Number of LEDs: 1                                    |
| Color Temperature (°K): 2700 / 3000 / 3500 / 4000    |
| Max. Delivered Lumen (lm): 1278 / 1377 / 1432 / 1461 |
| Nominal Lumen (lm): 1668 / 1797 / 1869 / 1907        |
| CRI: >90 CRI   |
| Lamp Life (hrs): 50000                               |

#### OPTICAL

|                |
|----------------|
| Reflector°: 14 |
|----------------|

#### RATINGS AND CERTIFICATIONS

|   |
|---|
| Certified By: CSA Certified to UL and CSA Standards |
| IP rating: IP20                                     |



## OIKO PRO IN TRACK

A3T226-

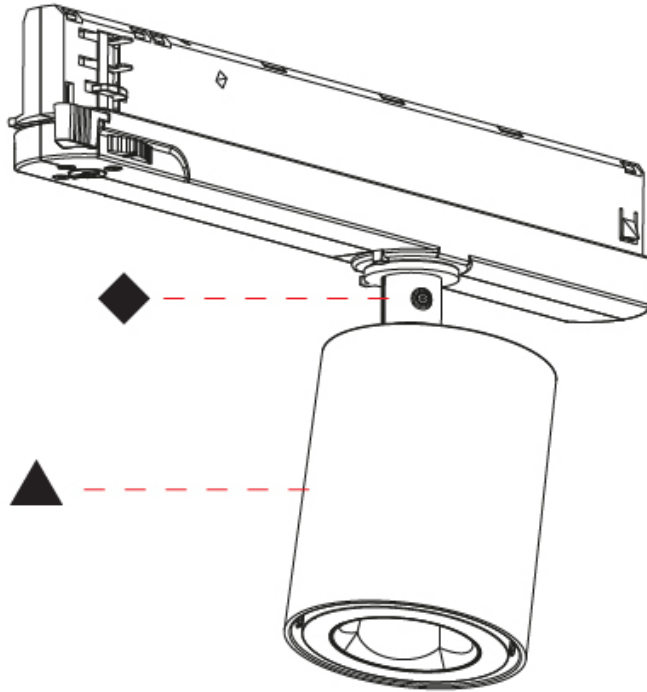
PROJECT \_\_\_\_\_

TYPE \_\_\_\_\_

SPECIFIER \_\_\_\_\_

QUANTITY \_\_\_\_\_

DATE \_\_\_\_\_



A

PROJECT \_\_\_\_\_

TYPE \_\_\_\_\_

SPECIFIER \_\_\_\_\_

QUANTITY \_\_\_\_\_

DATE \_\_\_\_\_

## OIKO PRO IN

### COLOR FINISH CHART

#### Fixture Finish

Sparkling Silver - 01 (SSR)



Black Velvet - 02 (BKV)



Crystal White - 03 (CWI)



Creamy - 04 (CRY)



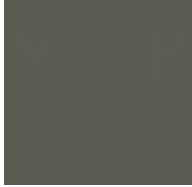
Hampton Bay - 05 (HAB)



Urban Forest - 07 (UFT)



In the Army - 08 (ITA)



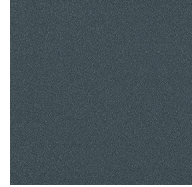
Rusty Angel - 09 (RUA)



Fade to Gray - 12 (FTG)



Mysterious Gray - 13 (MYG)



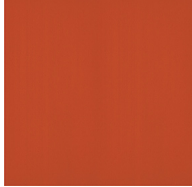
Lost Dream - 15 (LOD)



Purple Sky - 16 (PUS)



Fresh Oh - 17 (FRO)



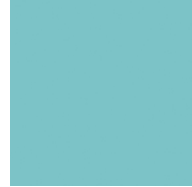
Funky P. - 18 (FUP)



Kissing Aphrodite - 19 (KIA)



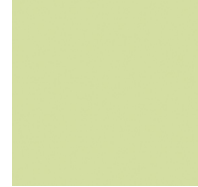
Poseidon's Paradise - 20 (POP)



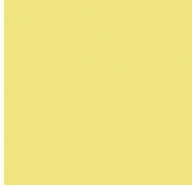
Blue Sky - 21 (BLS)



Spring Green - 22 (SPG)



Mellow Yellow - 23 (MEY)



Golden Heart - 24 (GOH)



Gun Metal - 25 (GUM)



Champagne Cream - 26 (CHC)



Copper Mine - 27 (COM)



Ancient Bronze - 28 (ABZ)



Jazz Gold - 29 (JAG)



Olive Breeze - 30 (OBR)



Moonlight Silver - 31 (MOS)



Rosewood Red - 32 (ROR)



#### Holder Finish

White - WHI (WHI)



Black - BLK (BLK)



### LEGEND

|  |   |   |  |   |  |
|--|---|---|--|---|--|
|    | floor-mounted   |    | pivotal  |    | special LED (upon request) RGB, RGBW, tunable, gold+, meat+, art+, fashion+                    |
|    | wall and ceiling: recessed and surface mounted            |    | rotating   |    | warm dim / natural dimming LED   |
|    | ceiling-mounted and wall-mounted                          |    | illuminate tilted  |    | rechargeable battery powered   |
|    | wall-mounted  |    | color of suspension cable                                    |    | fixture with natural vivid LED (upon request)  |
|    | omni-directional light distribution                       |    | length of suspension cable                                   |    | color rendering index  |
|    | direct light distribution                                 |    | reflector degree selection                                   |    | color temperature  |
|    | direct/indirect light distribution                        |    | super spot   |    | lumen (luminous flux)  |
|    | indirect light distribution                               |    | lens   |    | efficacy (lumens per watt)   |
|    | asymmetric light distribution                             |    | lens pack  |    | Unified Glare Rating (UGR) range from 5-40   |
|    | aura light distribution                                   |    | shine ring   |    | marine grade (AISI 316 stainless steel)  |
|    | round wall or ceiling cut-out                             |    | integrated shine ring with diffuser                          |    | walk on  |
|    | square wall or ceiling cut-out                            |    | free individual colors 01-29                                 |    | drive on   |
|    | the supplied jig specifies the cutout dimensions          |    | individual colors: 00 (free of charge), 01-25 (extra charge) |    | Dark Sky Compliance  |
|    | minimum distance (meters) lamp - object                   |    | luminaire part to be colored (F1)                            |    | Americans with Disabilities Act (less than 4" off the wall located between 27"-84" from floor) |
|    | recessed depth  |    | luminaire part to be colored (F2)                            |    | lamp protected against explosion   |
|   | ceiling thickness in mm                                   |   | luminaire part to be colored (F3)                            |   | blown glass using traditional methods by master glass blower                                   |
|  | ceiling thickness selection                               |  | luminaire part to be colored (F4)                            |  | acoustic material  |
|  | dimnable DP (phase), DV (0-10V), DD (dali), DS (step-dim) |  | luminaire part to be colored (F5)                            |  | protection class I, protection insulation  |
|  | included or excluded LED driver/transformer/control gear  |  | color of 3-circuit adaptor                                   |  | protection class II, protection insulation   |
|  | separately switchable                                     |  | indirect diffuser  |  | ETL Certified to UL and CSA Standards  |
|  | sensor  |  | direct diffuser  |  | UL Certified to UL and CSA Standards   |
|  | remote control  |  | ball-proof (upon request)                                    |  | CSA Certified to UL and CSA Standards  |
|  | available upon request                                    |  | accessory  |  | Certified for North American Standards   |

### IP RATING

|   |  |
|---|--|
|  | protected against ingress of solid bodies greater than 12.5mm (finger)   |
|  | protected against ingress of solid bodies greater than 2.5mm<br>protected against sprays of water up to 60 degrees from the vertical (rain)      |
|  | protected against ingress of solid bodies greater than 1mm (wire)<br>no protection against the ingress of moisture                               |
|  | protected against ingress of solid bodies greater than 1mm (wire)<br>protected against sprays of water up to 60 degrees from the vertical (rain) |
|  | protected against ingress of solid bodies greater than 1mm (wire)<br>protected against water splashed from all directions                        |
|  | protected against limited ingress of dust (wet rooms/covered outdoor areas)<br>protected against water splashed from all directions              |
|  | protected against ingress of dust<br>protected against jets of water   |
|  | protected against ingress of dust<br>protected against powerful jets of water or heavy seas  |
|  | protected against ingress of dust<br>protected against immersion of water between 15cm - 1m for 30 minutes                                       |
|  | protected against ingress of dust<br>protected against immersion of water under pressure for long periods  |

### IK RATING

|   |   |
|---|---|
|  | protected against 0.14 joules impact (equivalent to 0.25kg mass dropped from 56mm above the surface)  |
|  | protected against 0.2 joules impact (equivalent to 0.25kg mass dropped from 80mm above the surface)   |
|  | protected against 0.35 joules impact (equivalent to 0.25kg mass dropped from 140mm above the surface) |
|  | protected against 0.5 joules impact (equivalent to 0.25kg mass dropped from 200mm above the surface)  |
|  | protected against 0.7 joules impact (equivalent to 0.25kg mass dropped from 280mm above the surface)  |
|  | protected against 1 joules impact (equivalent to 0.25kg mass dropped from 400mm above the surface)    |
|  | protected against 2 joules impact (equivalent to 0.5kg mass dropped from 400mm above the surface)     |
|  | protected against 5 joules impact (equivalent to 1.7kg mass dropped from 300mm above the surface)     |
|  | protected against 10 joules impact (equivalent to 5.0kg mass dropped from 200mm above the surface)    |
|  | protected against 20 joules impact (equivalent to 5.0kg mass dropped from 400mm above the surface)    |